

TKS 凯赛电气

——冷压接线端头及接头专业制造商



乐清凯赛电气有限公司
YUEQING KAISAI ELECTRIC CO., LTD.

产品概览

PRODUCT OVERVIEW

P1-2



管形预绝缘端头(VE型)
Insulated cord end terminals

P2



双芯管形预绝缘端头
Crewel tube pre-insulating terminals

P3



管形裸端子(TG型)
Non-insulated cord end terminals

P5



圆形预绝缘端头(TO-JTK型)
Insulated ring terminals

P6



尼龙圆形预绝缘端头(TO-JTK型)
Insulated ring terminals

P7-10



圆形裸端头(TO型)
Non-insulated ring terminals

P11



叉形预绝缘端头(TU-JTK型)
Insulated spade terminals

P12



尼龙叉形预绝缘端头(TU-JTK型)
Insulated spade terminals

P13-14



叉形裸端头(TU型)
Non-insulated spade terminals

P14



预绝缘端头
Pre-insulation terminals

P14



绝缘软套管
Terminal insulation

P15



片形预绝缘端头
Insulated blade terminals

P15



片形裸端头
Non-insulated blade terminals

P16



针形预绝缘端头(TZ-JTK型)
Insulated pin terminals

P16



针形裸端头(TZ型)
Non-insulated pin terminals

P17



母预绝缘接头
Insulated female disconnects

P18



公预绝缘端头
Insulated male disconnects

P19



母全绝缘接头
Fully vinyl insulated disconnects

P19



肩背形公母预绝缘接头
Shoulder-shaped male and female pre-insulated joints

P20



子弹形公预绝缘接头
Insulated male bullet disconnects

P20



子弹形母预绝缘接头
Insulated receptacle disconnects

P21



尼龙公母全绝缘接头
Male and female full-insulating joints

P21



公母全绝缘接头
Male and female joint insulation

P22



尼龙子弹形公母全绝缘接头
Bullet-shaped male and female full-insulating joints

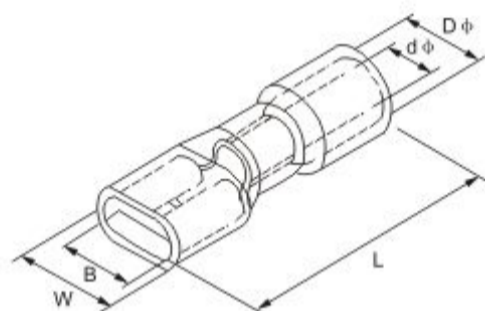
产品概览

PRODUCT OVERVIEW



母全绝缘接头

FULLY VINYL INSULATED DISCONNECTS



导线截面: 0.5~1.5mm²(美国线规22-16) 最大电流·Imax=10A

型号 ITEM NO	NAMETAB 接插规格 mm	尺寸 DIMENSION				
		W mm	B mm	Dφ mm	dφ mm	L mm
FDFD 1.25-110(5)	0.5×2.8	6.2	3.2	4.0	1.7	19.0
FDFD 1.25-187(5)	0.5×4.75	7.8	5.0	4.0	1.7	20.0
FDFD 1.25-187(8)	0.8×4.75	7.8	5.0	4.0	1.7	20.0
FDFD 1.25-250	0.8×6.3	9.3	6.6	4.0	1.7	22.5

导线截面: 1.5~2.5mm²(美国线规16-14) 最大电流·Imax=15A

型号 ITEM NO	NAMETAB 接插规格 mm	尺寸 DIMENSION				
		W mm	B mm	Dφ mm	dφ mm	L mm
FDFD 2-110(5)	0.5×2.8	6.2	3.2	4.5	2.3	19.0
FDFD 2-187(5)	0.5×4.75	7.8	5.0	4.5	2.3	20.0
FDFD 2-187(8)	0.8×4.75	7.8	5.0	4.5	2.3	20.0
FDFD 2-250	0.8×6.3	9.3	6.6	4.5	2.3	23.0

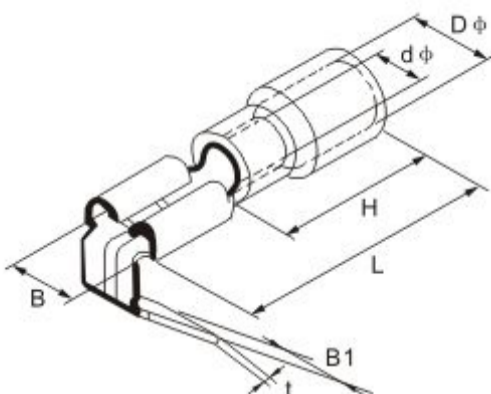
导线截面: 4~6mm²(美国线规12-10) 最大电流·Imax=24A

型号 ITEM NO	NAMETAB 接插规格 mm	尺寸 DIMENSION				
		W mm	B mm	Dφ mm	dφ mm	L mm
FDFD 5.5-187(5)	0.5×4.8	7.8	5.0	5.7	3.4	23.0
FDFD 5.5-250	0.8×6.3	9.3	6.6	5.7	3.4	23.0
FDFD 5.5-375	1.2×9.4	13.0	10.9	5.7	3.4	30.0

肩背形公母预绝缘接头

SHOULDER-SHAPED MALE AND FEMALE PRE-INSULATED JOINTS

注: 可依客户制作镶铜套。



导线截面: 0.5~1.5mm²(美国线规22-16) 最大电流·Imax=10A 黄铜0.4mm

型号 ITEM NO	NAMETAB t mm	尺寸 DIMENSION					
		B mm	B1 mm	H mm	Dφ mm	dφ mm	L mm
PBDD1.25-250	0.8×6.35	7.4	6.3	10.0	3.8	1.7	21.5

导线截面: 1.5~2.5mm²(美国线规16-14) 最大电流·Imax=15A

型号 ITEM NO	NAMETAB t mm	尺寸 DIMENSION					
		B mm	B1 mm	H mm	Dφ mm	dφ mm	L mm
PBDD2-250	0.8×6.35	7.4	6.3	10.0	4.3	2.3	21.5

导线截面: 4~6mm²(美国线规12-10) 最大电流·Imax=24A

型号 ITEM NO	NAMETAB t mm	尺寸 DIMENSION					
		B mm	B1 mm	H mm	Dφ mm	dφ mm	L mm
PBDD5.5-250	0.8×6.35	7.4	6.3	14.0	5.7	3.4	25.0